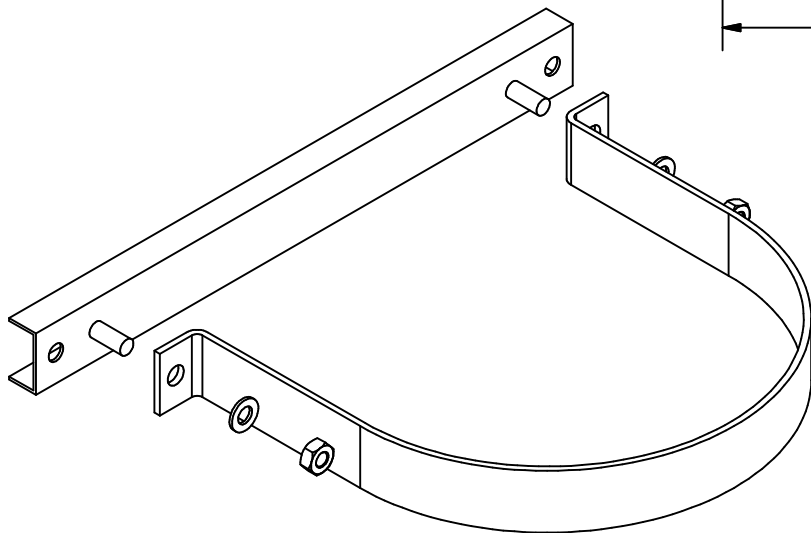
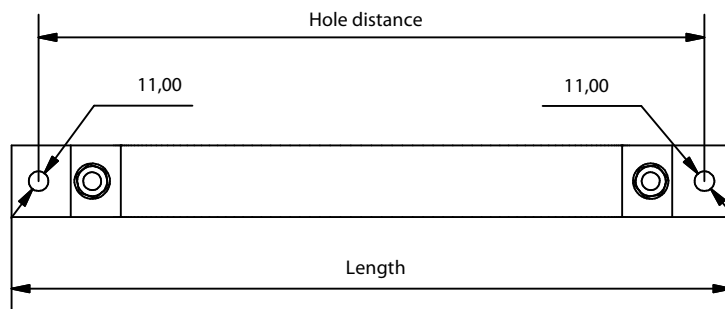
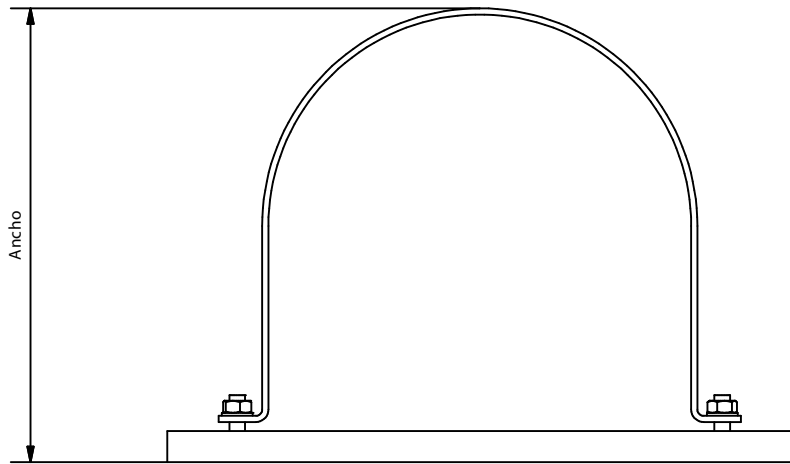




SUPPORT FOR AUTONOMOUS CYLINDERS

Hxxx



Reference	Capacity (L.)	Length (mm)	Width (mm)	Hole distance (mm)
H274	5	274	178	244
H274	6.7	274	178	244
H274	13.4	274	178	244
H364	26.8	364	255	334
H364	40.2	364	255	334
H402	67	402	292	372
H402	80	402	292	372

Specifications	
Name	Value
Finished	Black paint (RAL 9005)



aguilera
extinción

Av. Alfonso Peña Boeuf, 6 y 9
28022 MADRID - ESPAÑA
TEL: +34 913121656
FAX: +34 913295820

DATA SHEET
SUPPORT FOR AUTONOMOUS CYLINDERS

Description: Element used to anchor the cylinder to the wall

Code sheet:	Group sheet:	Reference:	Drawn:	Date:	Revised:	Date:	Review:	Format:
AEX-FTC-02-025	CO2	VER TABLA	DCM	26/07/2017	MRC	26/07/2017	1	A4